



PRODUCT SPECIFICATIONS

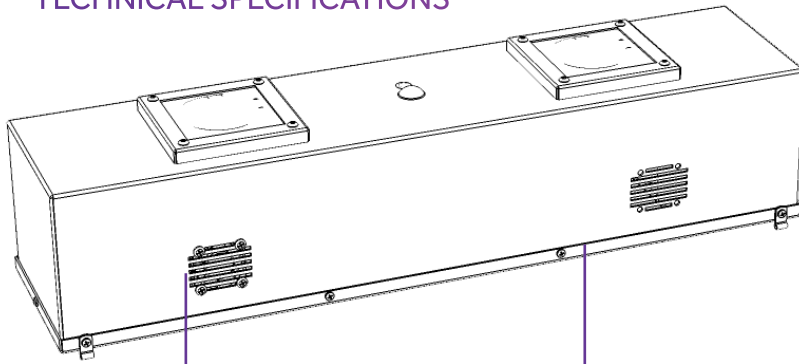
Gen 2.3 Vantage II

FEATURES:

- Pulsed Xenon technology delivers powerful, broad spectrum of UV-C, UV-B, UV-A, and violet blue light to begin killing germs immediately
- Advanced programming capabilities to deliver whole room disinfection when and where it's needed through autonomous control or integration with building automation systems via BACnet
- Integrated motion sensor technology designed to allow units to only operate when room is unoccupied
- Highly flexible deployment options, including in-ceiling installations, wall-mounted, or via mobile stands (sold separately)

**Powerful UV
disinfection installed
above for strategic
advantage**

TECHNICAL SPECIFICATIONS



Light

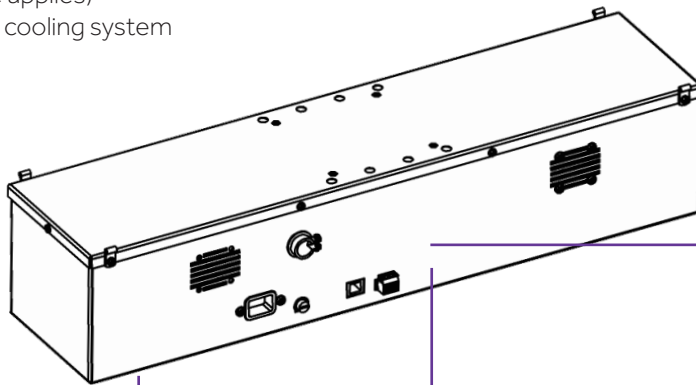
- Broad Spectrum, pulsed Xenon UV disinfection system
- Deploys UV-C, UV-B, UV-A and violet-blue light (200-470+ nm)
- Targeted coverage area of 12' x 12' per unit
- Passive infrared (PIR) motion sensor technology
- LED indicator light to indicate status of disinfection cycle

Size

- Dimensions: 24" x 5.125" x 5.75"
- Weight: 9 lbs

Housing

- Brushed aluminum housing
- White powder coat finish available (surcharge applies)
- Integrated cooling system



Controls

- On-board programming capabilities via ethernet for autonomous control
- Can be integrated with building automation systems via BACnet
- Configurable operational modes and settings to suit user's disinfection needs

Installation

- Configured with standard 100mm x 100mm VESA mounting holes for integration with variety of mounting brackets
- Optional fence clips for wire suspension mounting

Electrical

- Integrated power control
- Input voltage: 120V AC, 60 Hz
- Current: Less than 7 amp max draw for 4 second intervals
- Standard grounded plug or hard wire capability
- External user-replaceable fuse (250V, 6.3 amps)

OPERATIONAL MODES:

Operational mode may be selected to best meet user's needs. Options include:

- **Autonomous Mode:** Unit will run autonomously, activating automatically when room is unoccupied and adjusting frequency and duration of cleaning cycles based on motion detected by the sensor.
- **Scheduled Mode:** Unit will run pre-determined disinfection cycle(s) (10, 15, 20, 25 or 30 minutes) at scheduled time(s) of day. Cycle(s) will repeat every 24 hours unless power is disrupted.
- **Single Cycle Mode:** Unit will complete single disinfection cycle (10, 15, 20, 25 or 30 minutes) when unit is manually activated via power switch.

DEPLOYMENT OPTIONS

Drop Ceiling



Wall-Mounted
(Bracket Sold Separately)



Suspension Wire



With Mobile Stand (Sold Separately)



PATENTS

Violet Defense Technology products are protected by U.S. Patent No. 8,993,988, U.S. Patent No. 9,572,902, U.S. Patent No. 10,046,075, Canadian Patent CA2891152, Australian Patent AU2013344944, and South Korea Patent 10-1596653. Additional US & international patents pending. Visit www.violetdefense.com/patents for most current list.

LISTINGS & CERTIFICATIONS

- Certified compliant with UL 61010-1:2012 and FCC Part 15B Class A, ICES-003 Issue 7 Class A and Directive 2014/30/EU by TÜV SÜD America, a nationally recognized testing laboratory
- Independently validated to kill up to 99.9%* of E. coli, MRSA, Salmonella enterica, Norovirus, SARS-CoV-2, human coronavirus 229E, and C. diff

WARRANTY

- Three (3) year full replacement warranty against defects in materials and workmanship

ORDERING INFORMATION

MODEL	PLUG TYPE	OPERATIONAL MODE	CONTROL
Gen 2.3 Vantage II	<input type="checkbox"/> IEC <input type="checkbox"/> Flex Conduit	<input type="checkbox"/> Autonomous Mode <input type="checkbox"/> Scheduled Mode <input type="checkbox"/> Single Cycle Mode	<input type="checkbox"/> Autonomous <input type="checkbox"/> Wireless Remote Switch <input type="checkbox"/> Building Automation

*Individual results may vary depending on time, distance, pathogen, and product selection.

Specifications are subject to change. All references to "disinfection" are referring generally to the reduction of pathogenic bioburden and are not intended to refer to any specific definition of the term as may be used for other purposes by the U.S. Food and Drug Administration or the U.S. Environmental Protection Agency.